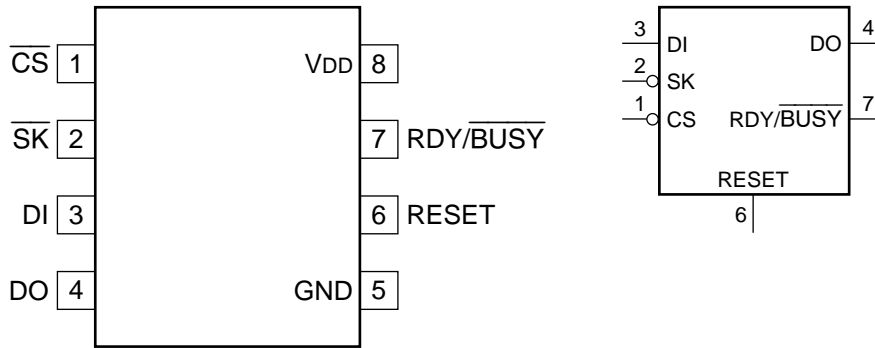


C-MOS 4 K (256 × 16)-BIT SERIAL EEPROM

—TOP VIEW—

**INPUT**

$\overline{\text{CS}}$: CHIP SELECT
 DI : SERIAL DATA
 RESET : RESET
 $\overline{\text{SK}}$: SERIAL DATA CLOCK

OUTPUT

DO : SERIAL DATA
 $\overline{\text{RDY/BUSY}}$: READY/BUSY

